

 **ANCHOR**

by **Panasonic**



vetaar

*Upgrade your Home
To Smart HOME!*

SMART PLUG



Rated current
10A /16A max.

Rated Voltage
240V AC, 50Hz

Power Capacity
3500W (max)



VOICE
COMMAND



OPERATE FROM
MOBILE APP



NOTIFICATION
ON MOBILE

SMART SWITCH



Rated current
6A (Max. of each switch)

Rated Voltage
240V AC, 50Hz

No. of Switches
2

Power Capacity
1150W (Max of each switch)



VOICE
COMMAND

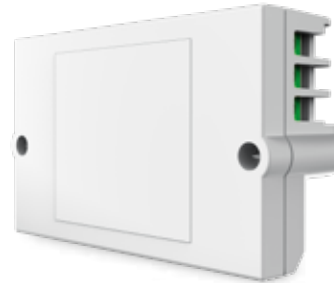


OPERATE FROM
MOBILE APP



NOTIFICATION
ON MOBILE

SMART SWITCH CONTROLLER



Rated current
6A (Maximum)

Rated Voltage
240V AC, 50Hz

No. of Switches
1

Power Capacity
1150W (Max)



VOICE
COMMAND



OPERATE FROM
MOBILE APP



NOTIFICATION
ON MOBILE

SMART IR TRANSMITTER



Input
5V DC, 1A

Built in Codes

LED Indication



VOICE
COMMAND



OPERATE FROM
MOBILE APP



NOTIFICATION
ON MOBILE

SMART IR SMOKE SENSOR



Rated Voltage
3V DC Battery operated
(CR1223A/CR17335)

LED Indication

In Built buzzer



VOICE
COMMAND



OPERATE FROM
MOBILE APP



NOTIFICATION
ON MOBILE

SMART FAN REGULATOR



Number Of Switches : 3
 a. ON /OFF - 1
 b. High/ Low (+/-) - 2
 LED Indication
 a. On & Off
 b. Speed Indicator
 Rated Voltage : 240AC, 50Hz
 Rated Load : 100W (Fan)
 No. of Step : 5

- VOICE COMMAND
- OPERATE FROM MOBILE APP
- NOTIFICATION ON MOBILE

SMART DIMMER CONTROLLER



Rated Voltage
240AC, 50Hz
 Rated Load
Incandescent - 400W
 LED - 60W
 CFL - 150W
 Smooth Intensity 0 to 100%
 Number Of switches : 3
 a. On /Off - 1
 b. Bright / Dim. - 2
 LED Indication
 a. On & Off
 b. Intensity

- VOICE COMMAND
- OPERATE FROM MOBILE APP
- NOTIFICATION ON MOBILE

SMART CURTAIN CONTROL



Rated Voltage
240AC, 50Hz
 Rated Load
50W
 2 Switches with LED Indication
 Number Of switches : 2
 a. Open
 b. Close

- VOICE COMMAND
- OPERATE FROM MOBILE APP
- NOTIFICATION ON MOBILE

SMART GAS SENSOR



Rated Voltage
240V AC 50 Hz
 LED Indication

- VOICE COMMAND
- OPERATE FROM MOBILE APP
- NOTIFICATION ON MOBILE

SMART MOTION SENSOR



Rated Voltage
3V DC Battery operated
(CR2/3AZ or CR123A)
 LED Indication
 Sensitivity
12m, 110 degrees

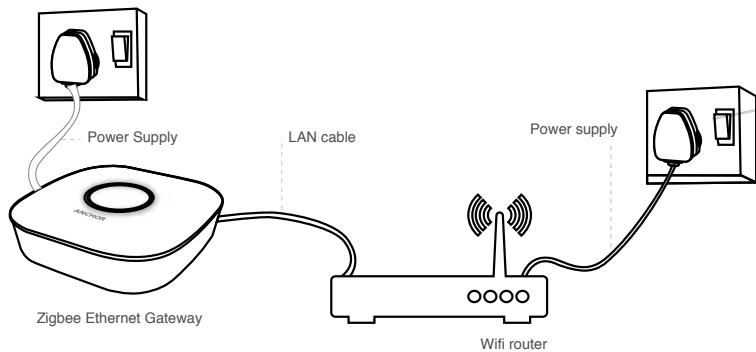
- VOICE COMMAND
- OPERATE FROM MOBILE APP
- NOTIFICATION ON MOBILE

Vetaar Devices:- Installation

Easily connects to home Wi-Fi router for Internet connection.

Install App for android or iOS device.

Configure devices with app as per instructions.



PANASONIC LIFE SOLUTIONS INDIA PVT. LTD.

Corporate & Head Office: 3rd Floor, B Wing, I-Think Techno Campus, Pokharan Road No.2, Thane (W), Thane - 400 607, Maharashtra .

Tel. 022 4222 8888 | Fax. 022 4222 8884

Customer Care no.: 022-41304130 | WhatsApp: 9136028606

Email: wecare@in.panasonic.com | www.isin.panasonic.com

Registered Office: 12th Floor, Ambience Tower, Ambience Island, NH-48, Gurugram - 122 002, Har yana.

