

Meets every Standard

Elevate Your Home With A Touch Of Glamour



Our Pricelist is now
Available Online
Scan & download

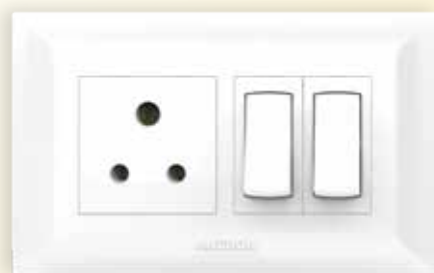
PRICELIST: **APRIL 2026**



Ziva is a series of modular switches designed at an economic price range. It's slim and sleek design will raise the beauty of your home by leaps and bounds. They also have a long life span and can be placed both horizontally and vertically, according to your choice.

▶ Vertical & Horizontal Installation

- Can be mounted vertically or horizontally
- Vertically mounted plates can fit in any space constraints
- Looks trendy & young



▶ **Two Plate Design & Single Mounting Plate Design**



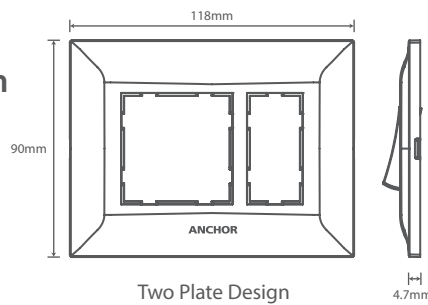
Two Plate Design



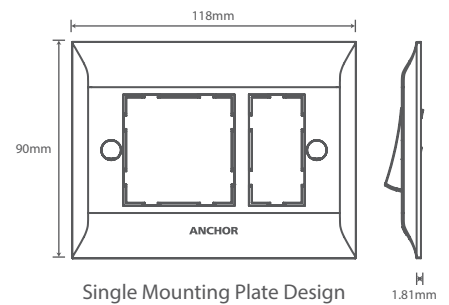
Single Mounting Plate Design

▶ **Slim & Elegant Design**

- Great aesthetic
- Blends with the wall and gives a very sleek look



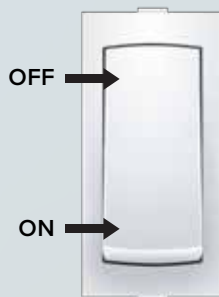
Two Plate Design



Single Mounting Plate Design

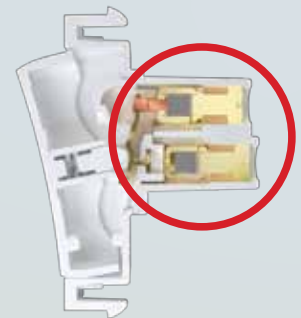
▶ **1 Lac Operations**

- Long Operational Life
- No need to worry for years to come



▶ **Captive Screws**

- Screws do not fall away
- Avoid screw driver slippage



▶ **IP20 Protection**

- No live part is exposed to fingers and can be accessible only through screw driver
- Protects against solid object larger than 12mm





68001 68007 68002 68008 68003 68077



68066 68025 68032



68208 68205



68301 68302 68322 68401 68402



68501 68502 68610 68620 68622



68503 68504 68505 68508 68509 68710



68125 68705 68706 68701 68702



68708 68709

Item	Description	HSN	Unit Sale Price Rs per number	Standard Packing Quantity (Number)	Maximum Retail Price (Inclusive of all taxes) Rs.
SWITCHES					
68001	6A, 1Way Switch, 1 Module (ISI) 100W SBL Load	85361010	37	20	740
68002	6A, 2Way Switch , 1 Module (ISI) 100W SBL Load	85361010	70	20	1400
68003	6A, Bell Push Switch ,1 Module (ISI)	85361010	72	20	1440
68066	6A, Bell Push Switch with Indicator , 2 Module (ISI)	85361010	104	10	1040
68007	16A, 1Way Switch, 1 Module (ISI) 200W SBL Load	85361020	84	10	840
68008	16A, 2Way Switch, 1 Module (ISI) 200W SBL Load	85361020	115	10	1150
68077	16A, 1Way Switch with Indicator, 1 Module (ISI) 200W SBL Load	85361020	96	10	960
68025	25A, SP 1 Way Switch with Indicator, 1 Module (ISI)	85361020	117	10	1170
68032	32A, DP 1Way Switch with Indicator, 2 Module (ISI)	85361020	209	10	2090
SOCKET					
68208	6A, 3 Pin Round Socket without Shutter, 2 Module, ISI	85366910	65	10	650
68205	6A/16A,Twin Socket, 2 Module (ISI)	85366910	147	10	1470
FAN REGULATOR					
68301	100W ,4 Step Fan regulator, 1 Module	84149030	313	20	6260
68302**	100W , 5 Step Fan regulator, 2 Module	84149030	360	10	3600
68322**	100W , 5 Step Fan regulator, 2 Module, ISI (Electronic Type)	84149030	380	10	3800
**Compatible with selected BLDC Fan models only					
DIMMER					
68401	450W, Dimmer, 1 Module (For Incandescent Lamp)	85365020	329	20	6580
68402	650W, Dimmer, 2 Module (For Incandescent Lamp)	85365020	431	10	4310
COMMUNICATION AND DATA SOCKET					
68501	Cord Outlet, 1 Module	85366910	71	20	1420
68502	TV Socket Outlet ,1 Module	85365090	96	10	960
68610	RJ11, Tel Jack with Shutter, 1 Module	85366910	116	10	1160
68620	RJ45, Receptor, 1 Module	85366910	142	20	2840
68622	RJ45, Computer Jack, Cat6, 1 Module	85444299	607	10	6070
SUPPORT FUNCTION & HOSPITALITY RANGE					
68503	Blank Plate, (Dimensions: LXH ,2.3cm X 4.6cm) , 1 Module	85389000	20	50	1000
68504	LED Indicator (Red), 1 Module	85318000	79	10	790
68505	USB-A Charger, Single Port(2.1A, 5V DC), 1 Module	85044090	1055	10	10550
68508	6A, Overload Protection - Manual Resettable Fuse, 1 Module	85361060	145	20	2900
68509	16A, Overload Protection - Manual Resettable Fuse, 1 Module	85361060	175	20	3500
68710	Buzzer, 2 Module	85318000	177	10	1770
68125	Motor Starter Switch, 25A 240V~ 50Hz, SP	85369010	442	10	4420
68705	Foot Light-LED Based (Cool Day Light) 2M,240V~	94054090	469	10	4690
68706	Foot Light-LED Based (Warm White Light) 2M,240V~	94054090	469	10	4690
68701	32A, DP Switch unit with keytag, 2 Module	85365090	528	10	5280
68702	Only Keytag with Ring	85365090	88	15	1056
68708	DND MMR Internal unit without Plate (DND Switch, MMR Switch), 2 Module	85365090	313	1	313
68709	DND MMR External unit without Plate (DND Indicator, MMR Indicator & Bell Push Switch), 3 Module	85365090	463	1	463

BLACK



68001B 68002B 68003B 68077B
68007B 68008B



68066B 68025B 68032B



68208B 68205B



68301B 68302B 68401B 68402B
68322B



68501B 68502B 68610B 68620B
68622B



68503B 68504B 68505B 68508B 68509B 68710B



68125B 68705B 68701B 68702B
68706B



68708B 68709B

Item	Description	HSN	Unit Sale Price Rs per number	Standard Packing Quantity (Number)	Maximum Retail Price (Inclusive of all taxes) Rs.
SWITCHES					
68001B	6A, 1Way Switch, 1 Module (ISI) 100W SBL Load	85361010	46	20	920
68002B	6A, 2Way Switch , 1 Module (ISI) 100W SBL Load	85361010	90	20	1800
68003B	6A, Bell Push Switch ,1 Module (ISI)	85361010	93	20	1860
68066B	6A, Bell Push Switch with Indicator , 2 Module (ISI)	85361010	132	10	1320
68007B	16A, 1Way Switch, 1 Module (ISI) 200W SBL Load	85361020	107	10	1070
68008B	16A, 2Way Switch, 1 Module (ISI) 200W SBL Load	85361020	148	10	1480
68077B	16A, 1Way Switch with Indicator, 1 Module (ISI) 200W SBL Load	85361020	123	10	1230
68025B	25A, SP 1 Way Switch with Indicator, 1 Module (ISI)	85361020	151	10	1510
68032B	32A, DP 1Way Switch with Indicator, 2 Module (ISI)	85361020	269	10	2690
SOCKET					
68208B	6A, 3 Pin Round Socket without Shutter, 2 Module, ISI	85366910	84	10	840
68205B	6A/16A,Twin Socket, 2 Module (ISI)	85366910	189	10	1890
FAN REGULATOR					
68301B	100W ,4 Step Fan regulator, 1 Module	84149030	401	20	8020
68302B**	100W , 5 Step Fan regulator, 2 Module	84149030	464	10	4640
68322B**	100W , 5 Step Fan regulator, 2 Module, ISI (Electronic Type)	84149030	488	10	4880
**Compatible with selected BLDC Fan models only					
DIMMER					
68401B	450W, Dimmer, 1 Module (For Incandescent Lamp)	85365020	422	20	8440
68402B	650W, Dimmer, 2 Module (For Incandescent Lamp)	85365020	551	10	5510
COMMUNICATION AND DATA SOCKET					
68501B	Cord Outlet, 1 Module	85366910	93	20	1860
68502B	TV Socket Outlet ,1 Module	85365090	124	10	1240
68610B	RJ11, Tel Jack with Shutter, 1 Module	85365090	151	10	1510
68620B	RJ45, Receptor, 1 Module	85365090	184	20	3680
68622B	RJ45, Computer Jack, Cat6, 1 Module	85444299	778	10	7780
SUPPORT FUNCTION					
68503B	Blank Plate, (Dimensions: LXH ,2.3cm X 4.6cm), 1 Module	85389000	26	50	1300
68504B	LED Indicator (Red), 1 Module	85318000	103	10	1030
68505B	USB-A Charger, Single Port(2.1A, 5V DC), 1 Module	85044090	1354	10	13540
68508B	6A, Overload Protection - Manual Resettable Fuse, 1 Module	85361060	187	20	3740
68509B	16A, Overload Protection - Manual Resettable Fuse, 1 Module	85361060	224	20	4480
68710B	Buzzer, 2 Module	85318000	227	10	2270
68125B	Motor Starter Switch, 25A 240V~ 50Hz, SP	85369010	497	10	4970
68705B	Foot Light-LED Based (Cool Day Light) 2M,240V~	94054090	601	10	6010
68706B	Foot Light-LED Based (Warm White Light) 2M,240V~	94054090	601	10	6010
68701B	32A, DP Switch unit with keytag, 2 Module	85365090	678	10	6780
68702B	Only Keytag with Ring	85365090	115	15	1725
68708B	DND MMR Internal unit without Plate (DND Switch, MMR Switch), 2 Module	85365090	399	1	399
68709B	DND MMR External unit without Plate (DND Indicator, MMR Indicator & Bell Push Switch), 3 Module	85365090	593	1	593

16A,20A,25A Switch not suggested for geyser load. Instead MCB/Motor Stater must be used.



SINGLE MOUNTING PLATE (HSN Code - 85381090)										
MODULE	1 Module	2 Module	3 Module	4 Module	6 Module	8 Module Horizontal	8 Module Vertical	12 Module	16 Module	18 Module
Code	68801	68802	68803	68804	68806	68808	68888	68812	68816	68818
Unit Sale Price Rs per number	55	55	67	81	110	144	145	176	203	222
Maximum Retail Price (Inclusive of all taxes) Rs.	1100	1100	1340	1620	1100	1440	725	880	1015	1110
Standard Packing Quantity (Number)	20	20	20	20	10	10	5	5	5	5



TWO PLATE DESIGN - COVER PLATE WITH BASE FRAME (HSN Code - 85381090)										
MODULE	1 Module	2 Module	3 Module	4 Module	6 Module	8 Module Horizontal	8 Module Vertical	12 Module	16 Module	18 Module
Code	68901	68902	68903	68904	68906	68908	68988	68912	68916	68918
Unit Sale Price Rs per number	72	72	81	102	133	180	180	221	249	267
Maximum Retail Price (Inclusive of all taxes) Rs.	1440	1440	1620	2040	1330	1800	900	1105	1245	1335
Standard Packing Quantity (Number)	20	20	20	20	10	10	5	5	5	5



BLACK - COVER PLATE WITH BASE FRAME (HSN Code - 85381090)										
MODULE	1 Module	2 Module	3 Module	4 Module	6 Module	8 Module Horizontal	8 Module Vertical	12 Module	16 Module	18 Module
Code	68901B	68902B	68903B	68904B	68906B	68908B	68988B	68912B	68916B	68918B
Unit Sale Price Rs per number	95	95	109	132	180	240	240	298	332	356
Maximum Retail Price (Inclusive of all taxes) Rs.	1900	1900	2180	2640	1800	2400	1200	1490	1660	1780
Standard Packing Quantity (Number)	20	20	20	20	10	10	5	5	5	5



Cherry Red



Lavender



Blue Berry



Brass



Shinning Silver

COLOR PLATES - COVER PLATE WITH BASE FRAME (HSN Code - 85381090)										
MODULE	1 Module	2 Module	3 Module	4 Module	6 Module	8 Module Horizontal	8 Module Vertical	12 Module	16 Module	18 Module
Cherry Red	68901CR	68902CR	68903CR	68904CR	68906CR	68908CR	68988CR	68912CR	68916CR	68918CR
Lavender	68901LD	68902LD	68903LD	68904LD	68906LD	68908LD	68988LD	68912LD	68916LD	68918LD
Blue Berry	68901BB	68902BB	68903BB	68904BB	68906BB	68908BB	68988BB	68912BB	68916BB	68918BB
Brass	68901BR	68902BR	68903BR	68904BR	68906BR	68908BR	68988BR	68912BR	68916BR	68918BR
Shinning Silver	68901SS	68902SS	68903SS	68904SS	68906SS	68908SS	68988SS	68912SS	68916SS	68918SS
Unit Sale Price Rs per number	100	100	114	142	187	252	252	311	347	371
Maximum Retail Price (Inclusive of all taxes) Rs.	2000	2000	2280	2840	1870	2520	1260	1555	1735	1855
Standard Packing Quantity (Number)	20	20	20	20	10	10	5	5	5	5



Note : Do not use "Hard Cleaning Agent" for cleaning purpose.



WHITE & BLACK PLATE WITH CHROME COLLAR - COVER PLATE WITH BASE FRAME											(HSN Code - 85381090)	
MODULE	1 Module	2 Module	3 Module	4 Module	6 Module	8 Module Horizontal	8 Module Vertical	12 Module	16 Module	18 Module		
Chrome Collar - White	68901-C	68902-C	68903-C	68904-C	68906-C	68908-C	68988-C	68912-C	68916-C	68918-C		
Unit Sale Price Rs per number	87	87	97	122	162	215	215	269	299	321		
Maximum Retail Price (Inclusive of all taxes) Rs.	1740	1740	1940	2440	1620	2150	1075	1345	1495	1605		
Chrome Collar - Black	68901B-C	68902B-C	68903B-C	68904B-C	68906B-C	68908B-C	68988B-C	68912B-C	68916B-C	68918B-C		
Unit Sale Price Rs per number	115	115	130	161	217	288	288	356	399	427		
Maximum Retail Price (Inclusive of all taxes) Rs.	2300	2300	2600	3220	2170	2880	1440	1780	1995	2135		
Standard Packing Quantity (Number)	20	20	20	20	10	10	5	5	5	5		



White



Cherry Red



Blue Berry

PLATES SUITABLE FOR WOODEN BOXES															(HSN Code - 85381090)	
MODULE	1 Module	2 Module	3 Module	4 Module	6 Module	8 Module Horizontal	8 Module Vertical	10 Module Horizontal	12 Module Horizontal	12 Module Vertical	16 Module	18 Module	20 Module	24 Module		
White	68551-C	68552-C	68553-C	68554-C	68556-C	68558-C	68588-C	68560-C	68562-C	68512-C	68516-C	68518-C	68520-C	68524-C		
Unit Sale Price Rs per number	91	91	107	131	178	238	238	267	293	293	327	354	389	538		
Maximum Retail Price (Inclusive of all taxes) Rs.	1820	1820	2140	2620	1780	2380	1190	2670	2930	1465	1635	1770	1945	2690		
Cherry Red	68551CR-C	68552CR-C	68553CR-C	68554CR-C	68556CR-C	68558CR-C	68588CR-C	68560CR-C	68562CR-C	68512CR-C	68516CR-C	68518CR-C	68520CR-C	68524CR-C		
Blue Berry	68551BB-C	68552BB-C	68553BB-C	68554BB-C	68556BB-C	68558BB-C	68588BB-C	68560BB-C	68562BB-C	68512BB-C	68516BB-C	68518BB-C	68520BB-C	68524BB-C		
Unit Sale Price Rs per number	130	130	150	187	252	336	336	376	415	415	462	500	550	810		
Maximum Retail Price (Inclusive of all taxes) Rs.	2600	2600	3000	3740	2520	3360	1680	3760	4150	2075	2310	2500	2750	4050		
Standard Packing Quantity (Number)	20	20	20	20	10	10	5	10	10	5	5	5	5	5		
Dimension in cm (W x H)	11.5 x 11.5	11.5 x 11.5	13.5 x 11.5	16.5 x 11.5	22 x 11.5	27 x 11.5	16.5 x 16.5	32.5 x 11.5	39.2 x 11.5	22 x 16.5	27 x 16.5	27 x 23	32.5 x 16.5	32.5 x 16.5		



SURFACE BOX WITH PLATE											(HSN Code - 85381090)	
MODULE	1 Module	2 Module	3 Module	4 Module	6 Module	8 Module Horizontal	8 Module Vertical	12 Module	16 Module	18 Module		
Code	68451	68452	68453	68454	68456	68458	68488	68412	68416	68418		
Unit Sale Price Rs per number	128	128	157	194	258	338	338	412	477	522		
Maximum Retail Price (Inclusive of all taxes) Rs.	1280	1280	1570	1940	2580	1690	1690	2060	2385	2610		
Standard Packing Quantity (Number)	10	10	10	10	10	5	5	5	5	5		



Item	Description	HSN	Unit Sale Price Rs per number	Standard Packing Quantity (Number)	Maximum Retail Price (Inclusive of all taxes) Rs.
MINI MCB SP					
68980	6A SP "C" Ziva Mini MCB	85362030	365	12	4380
68981	10A SP "C" Ziva Mini MCB	85362030	365	12	4380
68982	16A SP "C" Ziva Mini MCB	85362030	365	12	4380
68983	20A SP "C" Ziva Mini MCB	85362030	365	12	4380
68984	25A SP "C" Ziva Mini MCB	85362030	365	12	4380
68985	32A SP "C" Ziva Mini MCB	85362030	365	12	4380
MINI MCB DP					
68989	6A DP "C" Ziva Mini MCB	85362030	795	6	4770
68990	10A DP "C" Ziva Mini MCB	85362030	795	6	4770
68991	16A DP "C" Ziva Mini MCB	85362030	795	6	4770
68992	20A DP "C" Ziva Mini MCB	85362030	795	6	4770
68993	25A DP "C" Ziva Mini MCB	85362030	795	6	4770
68994	32A DP "C" Ziva Mini MCB	85362030	795	6	4770



TERMS AND CONDITIONS

- 1) Prices are in INR (₹).
- 2) All prices are subject to the general terms and conditions of our business.
- 3) Prices are subject to change without prior notice.
- 4) This price list supersedes all our previous price lists.
- 5) If any dispute should arise it will be subject to Thane jurisdiction.
- 6) Company reserves the right to issue amendments which may arise due to any errors in the price list.
- 7) Colour in images are for reference purpose only, please see product for actual colour.

Due to continuous improvements in product design and development and manufacturing methods, the product may differ in some aspects from the details provided herein.

PANASONIC LIFE SOLUTIONS INDIA PVT. LTD.

Corporate & Head Office: 3rd Floor, B Wing, I-Think Techno Campus,

Pokharan Road No.2, Thane (W), Thane - 400 607, Maharashtra.

Tel. 022 4222 8888 | Fax. 022 4222 8884

Customer Care no.: 022-41304130 | WhatsApp: 9136028606

Email: wecare@in.panasonic.com | www.lsin.panasonic.com

Registered Office: 12th Floor, Ambience Tower, Ambience Island,

NH-48, Gurugram - 122 002, Haryana.

Distributor / Dealer Stamp